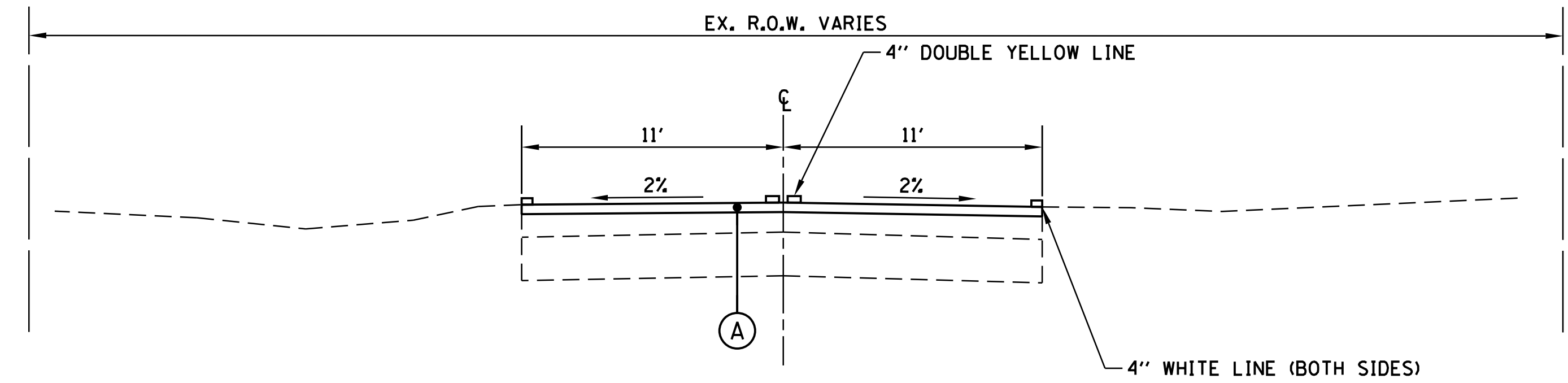
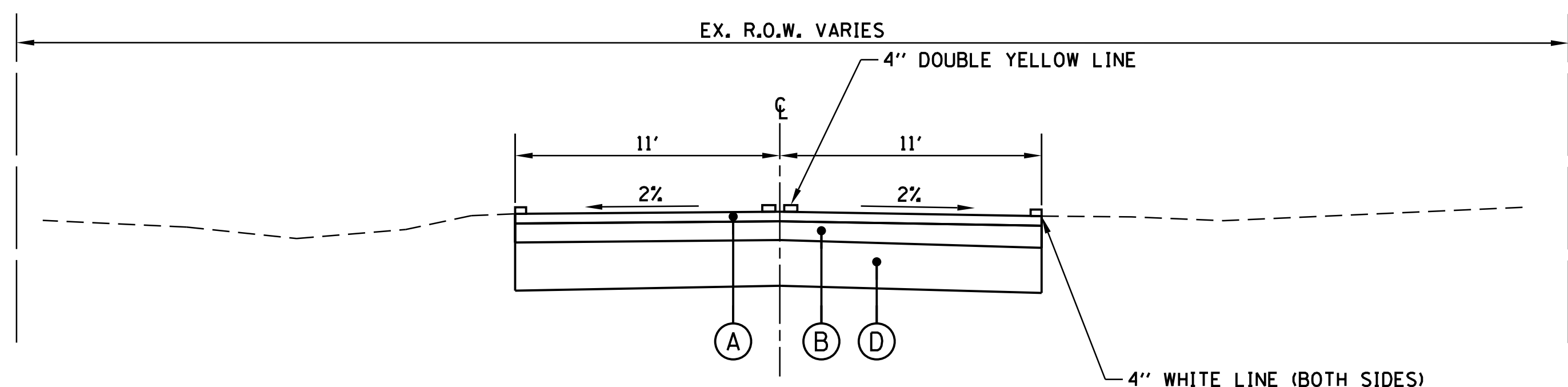


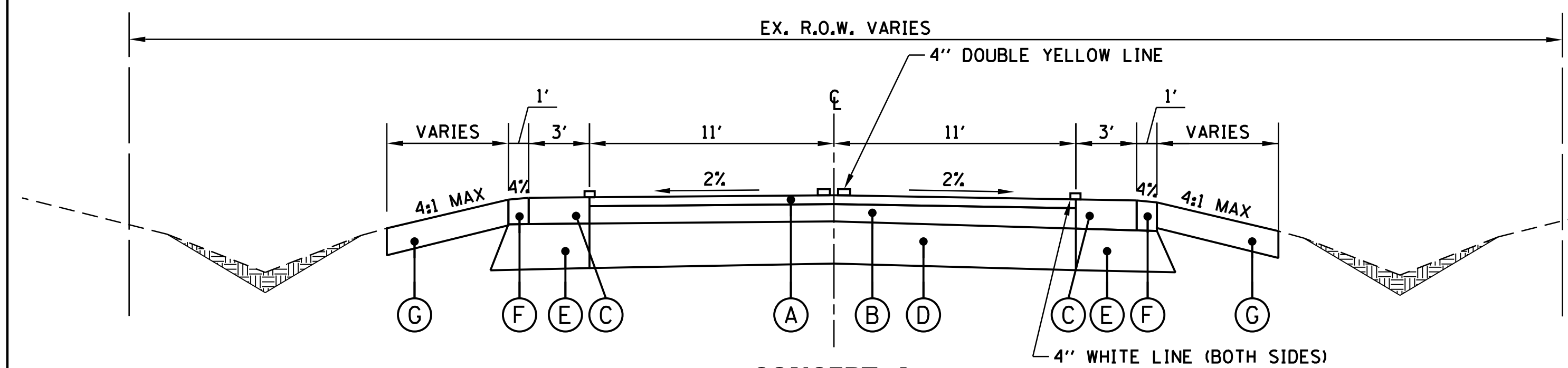
**EXISTING PAVEMENT SECTION  
IL RTE 22 TO GILMER ROAD**



**CONCEPT A,B,&C  
PROPOSED PAVEMENT SECTION  
IL RTE 22 TO KRUEGER CT  
2" MILL AND RESURFACE**

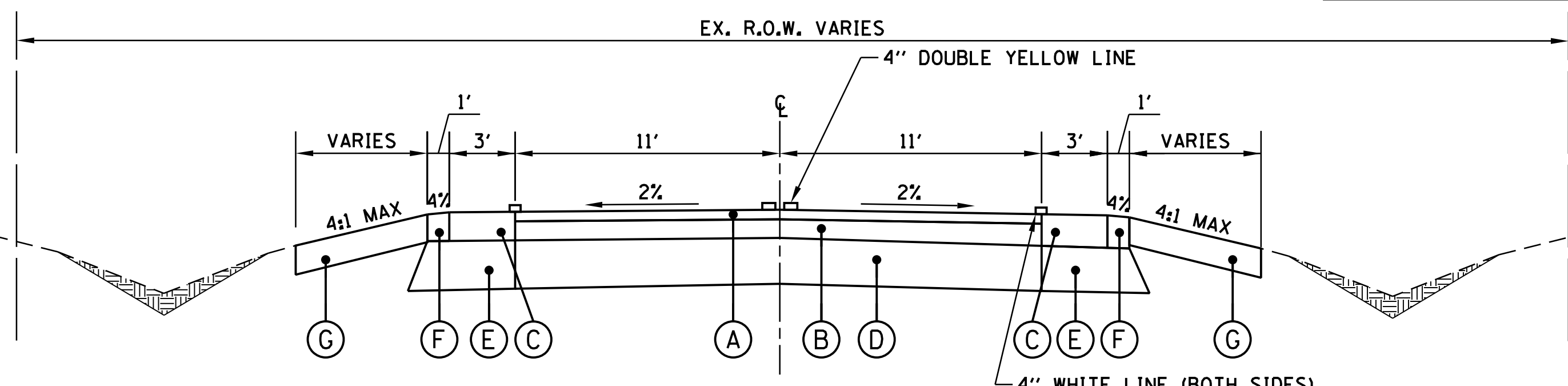


**CONCEPT A  
PROPOSED PAVEMENT SECTION  
KRUEGER CT TO ELEANOR DRIVE  
6" RESURFACING (NO WIDTH CHANGE)**

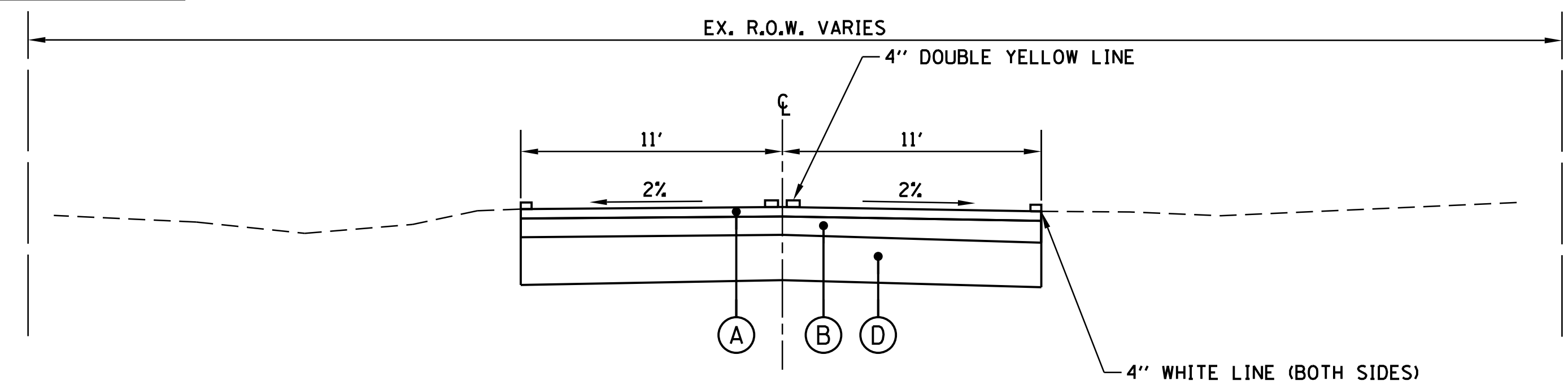


**CONCEPT A  
PROPOSED PAVEMENT SECTION  
ELEANOR DRIVE TO GILMER ROAD  
6" RESURFACING AND WIDENING**

- LEGEND:**
- (A) 2" HMA SURFACE
  - (B) 4" HMA BINDER
  - (C) HMA SHOULDER 6"
  - (D) 12" AGGREGATE BASE (PULVERIZED)
  - (E) 12" AGGREGATE BASE (NEW)
  - (F) 6" AGGREGATE SHOULDER
  - (G) RESTORATION



**CONCEPT B  
PROPOSED PAVEMENT SECTION  
KRUEGER CT TO GILMER ROAD  
6" RESURFACING AND WIDENING**



**CONCEPT C  
PROPOSED PAVEMENT SECTION  
KRUEGER CT TO GILMER ROAD  
6" RESURFACING (NO WIDTH CHANGE)**

FILE NAME =	USER NAME = *USER*	DESIGNED -	REVISED -
*FILEL*		DRAWN -	REVISED -
	PLOT SCALE = *SCALE*	CHECKED -	REVISED -
*MODELNAME*	PLOT DATE = *DATE*	DATE -	REVISED -

**STATE OF ILLINOIS  
DEPARTMENT OF TRANSPORTATION**

**NORTH KRUEGER ROAD TYPICAL SECTIONS  
VILLAGE OF LONG GROVE, ILLINOIS**

SCALE: N.T.S. SHEET 1 OF 1 SHEETS STA. 605+15 TO STA. 658+90

F.A. RTE.	SECTION	COUNTY	TOTAL SHEETS	SHEET NO.
	16-00010-00-PV	LAKE	1	1
CONTRACT NO.				

ILLINOIS FED. AID PROJECT